



QR-25[®] Series Model 4125

Parts Manual
Record of Change 16

This manual contains important safety information and must be carefully read in its entirety and understood prior to installation by all personnel who install, operate and/or maintain this product.

On-line product registration, parts ordering and warranty information is available at www.quincycompressor.com

Manual No. 2022204500

July 2014 Edition

TABLE OF CONTENTS

Serial Number Identification.....	2
Ordering Replacement Parts.....	2
Crankcase Lubricant Capacity.....	2
Quin-Cip Lubricant.....	2
Crankcase Group.....	3
Crankshaft Group.....	4
Bearing Carrier Group.....	5
Connecting Rod & Piston Group.....	6-7
Cylinder & Head Group.....	8-9
Head Assembly.....	10-11
Control Group.....	12
Gasket Set.....	13
Yearly Maintenance Kit.....	13
Basic Compressor Repair Kit.....	13
Oil Pump Repair Kit.....	13
Piston Pin Kit.....	13
Head Kit.....	13
Overhaul Kit.....	13
Recommended Spare Parts.....	13

INTRODUCTION

This manual provides information for the QR-25 Series, Model 4125 (per Record of Change 16) reciprocating compressor version:

- L Control Version L**
head assembly with 4 unloader towers & a hydraulic unloader

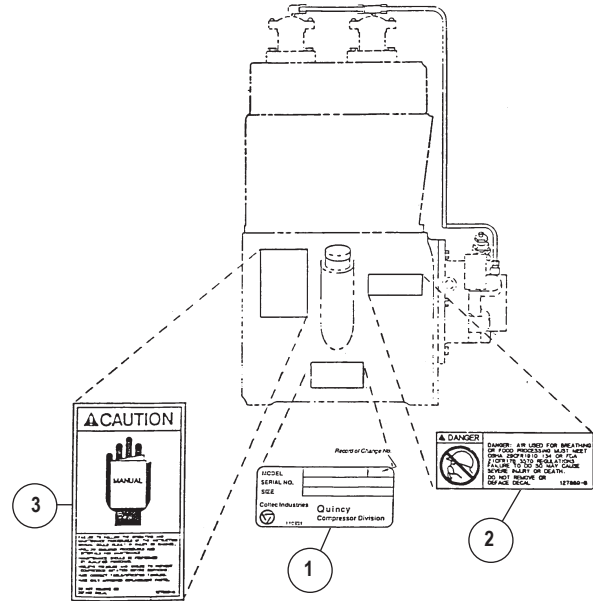
The Model 4125 is an aircooled, single stage, four cylinder, V-type, pressure lubricated compressor, with up to 100 PSI continuous pressure capability. It has a 4.5" bore, with a 4" stroke. This compressor can be run at 400-940 RPM.

- Available options included in this manual:
- hooded air filter
 - hooded air filter / silencer

CHANGES

since previous printing dated January 2014:

The bearing carrier group was redesigned with a new oil pump including an oil filter.



Decals			
Item #	Qty.	Part Number	Description
1	1	110831	serial number & nameplate
2	1	127889-A	decal, CAUTION!, MANUAL
3	1	127889-B	decal, DANGER!, "Air from this..."

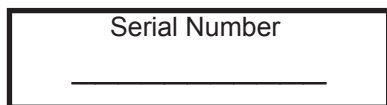
MODEL & SERIAL NUMBER IDENTIFICATION

Record of Change No.



Model & Serial Number Identification Tag

The model & unit serial number identification tag is located on the air tank top plate.



The basic compressor serial number decal is located on the hand hole cover plate of the basic compressor. *Fill in the numbers from your compressor unit and basic compressor in the corresponding spaces provided here, and reference this page when ordering replacement parts.*

All replacement parts are to be ordered through an authorized Quincy distributor. Insist on genuine Quincy parts only! Failure to do so may void warranty.

ORDERING REPLACEMENT PARTS

Prompt service can be rendered on repair parts orders if the following information is given:

- Item 1)** the model number, record of change number, & serial number.
- Item 2)** the exact part number needed. (Do not order by item numbers.)
- Item 3)** the exact quantity needed.
- Item 4)** the preferred type of transportation.

QUIN-CIP LUBRICANT

Refer to the chart below to order Quin-Cip-D or Quin-Cip compressor lubricant from your local authorized Quincy distributor.

Quin-Cip-D Lubricant (synthetic)	
SAE 30 (ISO 100)	
Quart	115468Q
Case (12 Qts.)	115438C
Quin-Cip Lubricant	
SAE 10W (ISO 32)	
Quart	112541Q032
Case (12 Qts.)	112541C032
SAE 20 (ISO 68)	
Quart	112542Q068
Case (12 Qts.)	112542C068
SAE 30 (ISO 100)	
Quart	112543Q100
Case (12 Qts.)	112543C100

CRANKCASE LUBRICANT CAPACITY

Model	Capacity
4125	9 qts. & 24 oz. (9.22 lit.)

CAUTION !

Follow all safety precautions outlined in the Quincy QR-25 Series instruction manual.

WARNING !

Do not operate this compressor without a totally enclosed belt guard or any other required safety equipment.

DANGER !

Air used for breathing or food processing must meet OSHA 1910.134 or FDA 21 CFR 178.3570 regulations. Failure to do so may cause severe injury or death.

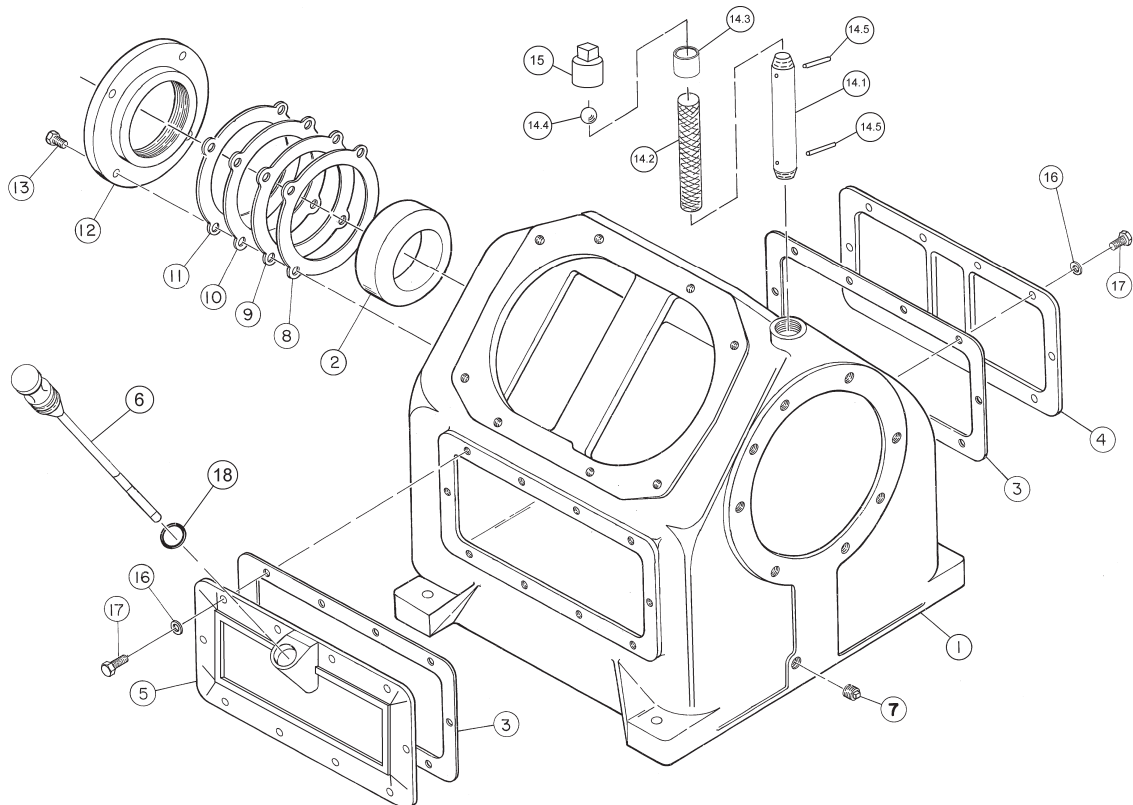
CRANKCASE GROUP 110460-002

Item Number	Qty.	Part Number	Description
1	1	6640	crankcase
2	1	4357	bearing cup
3	2	6678	gasket inspection plate
4	1	6645-1	inspection plate
5	1	110174-2	inspection plate
6	1	111876-3	dipstick
7	1	2057	pipe plug, 1/2 npt
8	*	1498	bearing shim, .005
9	*	1498A	bearing shim, .007
10	*	1498B	bearing shim, .020
11	*	1498C	bearing shim, .002
12	1	6643	adjustment plate (.002 / .0035 crankshaft end play)
13	4	123478-N14	hex screw, 1/2-13 unc x 1.25, grade 5 (@ 75 ft.-lbs.)
14	1	5518X1	breather assembly
14.1	1	5518	breather tube
14.2	1	111304	breather filter
14.3	1	6864	ball seat, crankcase breather
14.4	1	5783	breather ball
14.5	2	110705-D15	roll pin, 1/8 x 1.12
15	1	6936	breather cap
16	20	110428N038	flatwasher, 3/8
17	20	123478-L12	hex screw, 3/8-16 unc x 1.00, grade 5 (@ 12 ft.-lbs.)
18	1	112033-908	"o"ring, 3/32 wide x .82

N.S.S. = Not Sold Separate

* Quantity as required

@ Indicates torque value in foot pounds (dry threads). Tighten multiple bolts, capscrews & hex nuts in a criss-cross or alternating pattern. Bring each fastener to the recommended torque specification in even increments.



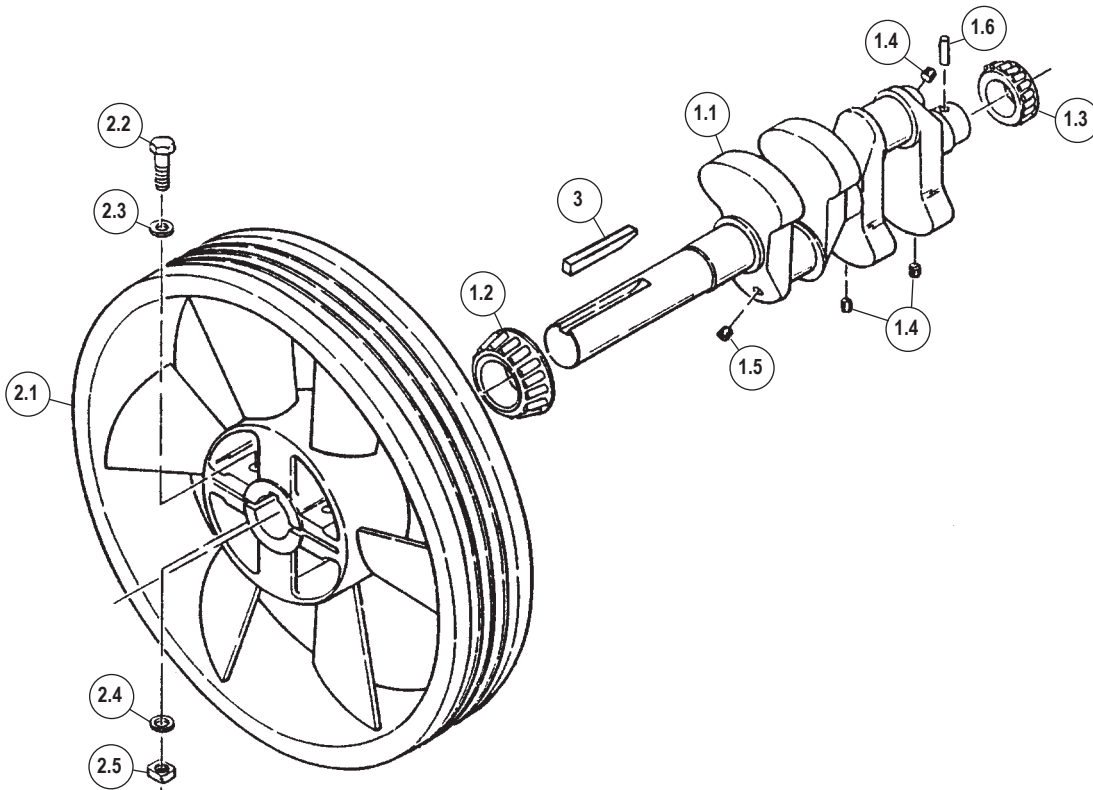
CRANKSHAFT GROUP 110227

Item Number	Qty.	Part Number	Description
1	1	110227	crankshaft assembly
1.1	1	110226	crankshaft (N.S.S.; order 110227 crankshaft assembly.)
1.2	1	6651	bearing cone
1.3	1	40775	bearing cone
1.4	3	2755S	pipe plug 1/8 npt
1.5	1	110234	pipe plug orifice, 1/8 npt
1.6	1	110705-F21	roll pin, 1/16 x 1.88
2	1	110558X	sheave assembly
2.1	1	8297-1R	sheave, 2 $\frac{1}{2}$ " , 4G, B section, CCW (N.S.S.; order 110558X)
2.2	2	123478-Q21	hex screw, 5/8-11 unc x 3.00, grade 5 (@ 150 ft.-lbs.)
2.3	2	115512	flatwasher, 5/8
2.4	2	123115-10C	lockwasher, 5/8
2.5	2	1883-001	square nut, 5/8-11 unc
3	1	2851	key

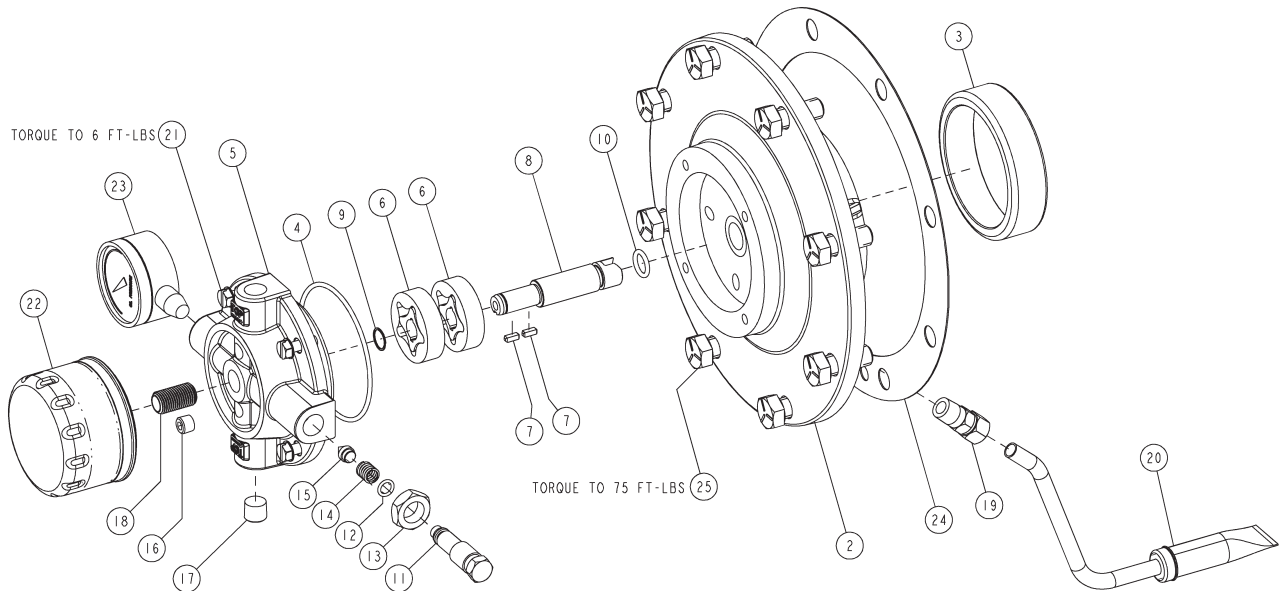
N.S.S. = Not Sold Separate

@ Indicates torque value in foot pounds (dry threads)

For reversal of compressor rotation refer to QR-25 instruction manual.



BEARING CARRIER GROUP 2024400261

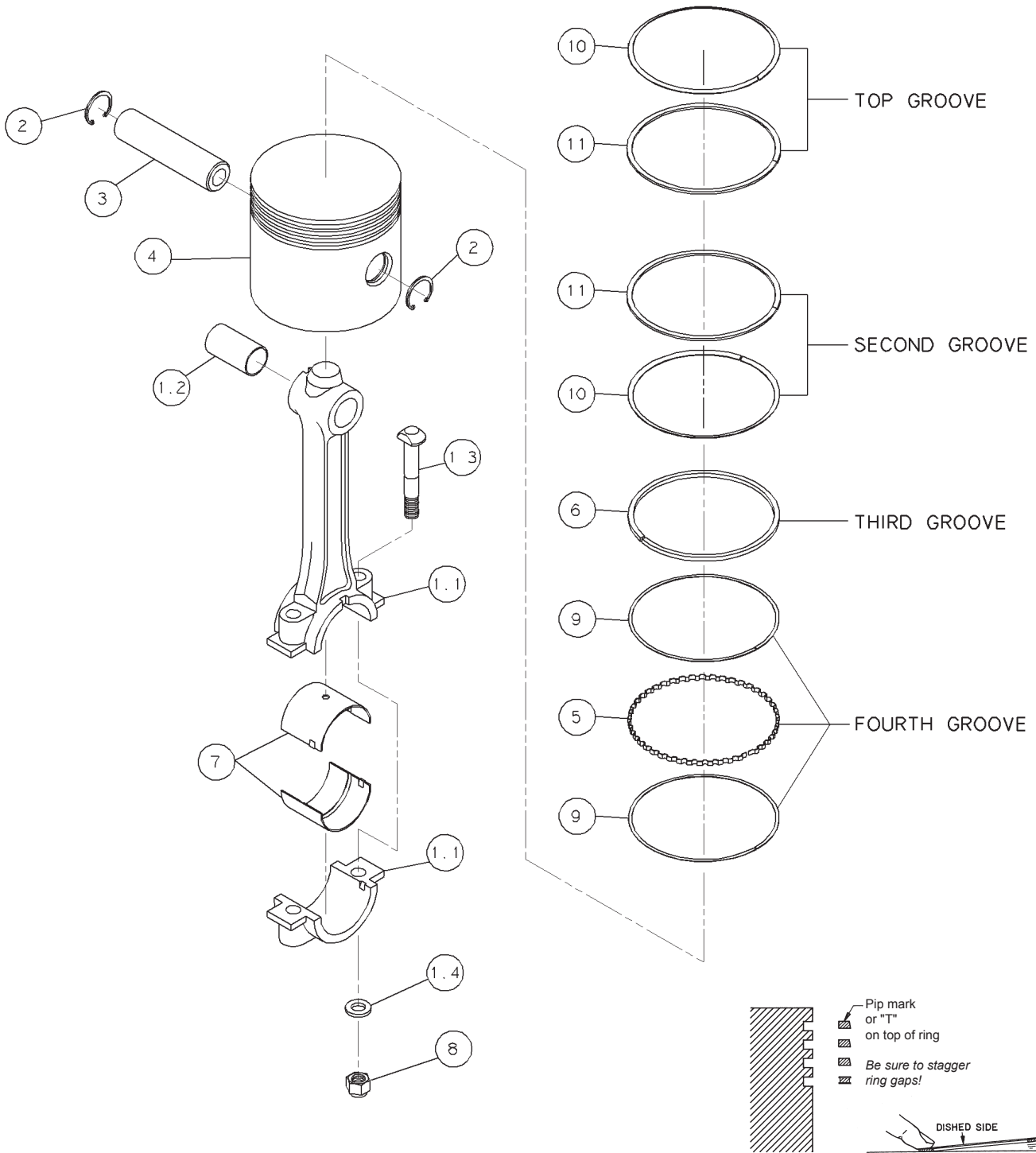


2024400261 BEARING CARRIER GROUP			
ITEM	PART NUMBER	QTY	DESCRIPTION
1	2024400251	1	BEARING CARRIER ASSEMBLY (N.S.S. - ORDER KIT)
2	2024400201	1	BEARING CARRIER
3	3720	1	CUP, BEARING
4	22749-152	1	O-RING, VITON
5	2024400602	1	OIL PUMP HOUSING
6	160003	2	OIL PUMP
7	160075-001	2	KEY
8	2024200203	1	OIL PUMP DRIVESHAFT
9	6285	1	RETAINING RING
10	22749-112	1	O-RING, VITON
11	5489	1	ADJUSTMENT SCREW
12	22749-011	1	O-RING, VITON
13	124369-P02	1	JAM NUT
14	1160	1	SPRING
15	112857	1	NEEDLE VALVE
16	2755S	1	PIPE PLUG, 1/8 NPT
* 17	2719	1	PIPE PLUG, 1/4 NPT
** 18	2023400200	1	FILTER STUD
*** 19	124393-012	1	TUBE FITTING, CONNECTOR, 3/8 TUBE X 1/4 NPT
20	2023400003	1	OIL PICKUP TUBE WITH SCREEN
21	123777-J10	4	MACHINE SCREW
22	2023400100	1	OIL FILTER
* 23	110822	1	OIL PRESSURE GAUGE
24	5494	1	GASKET, BEARING CARRIER
25	142578-N14	8	CAP SCREW, 1/2-13x1.25, GRADE 5
MAINTENANCE PARTS			
	2023400101		10 PACK OF OIL FILTERS
REPLACEMENT KITS			
	2024400281		BEARING CARRIER ASSEMBLY REPLACEMENT KIT INCLUDES BEARING CARRIER ASSEMBLY, FILTER, GAUGE, AND GASKET

* INSTALL WITH PIPE SEALANT
 ** INSTALL WITH RETAINING COMPOUND
 *** INSTALL WITH PIPE SEALANT ON NPT & THREADLOCKER ON NUT
 N.S.S. = NOT SOLD SEPARATE
 TORQUE VALUES ARE FOR DRY THREADS. TIGHTEN MULTIPLE BOLTS, CAPSCREWS, AND HEX NUTS
 IN A CRISS-CROSS PATTERN. BRING EACH FASTENER TO THE RECOMMENDED TORQUE
 SPECIFICATION IN EVEN INCREMENTS.

CONNECTING ROD & PISTON GROUP 40113-001

(4 required per compressor)



CONNECTING ROD & PISTON GROUP 40113-001

(4 required per compressor)

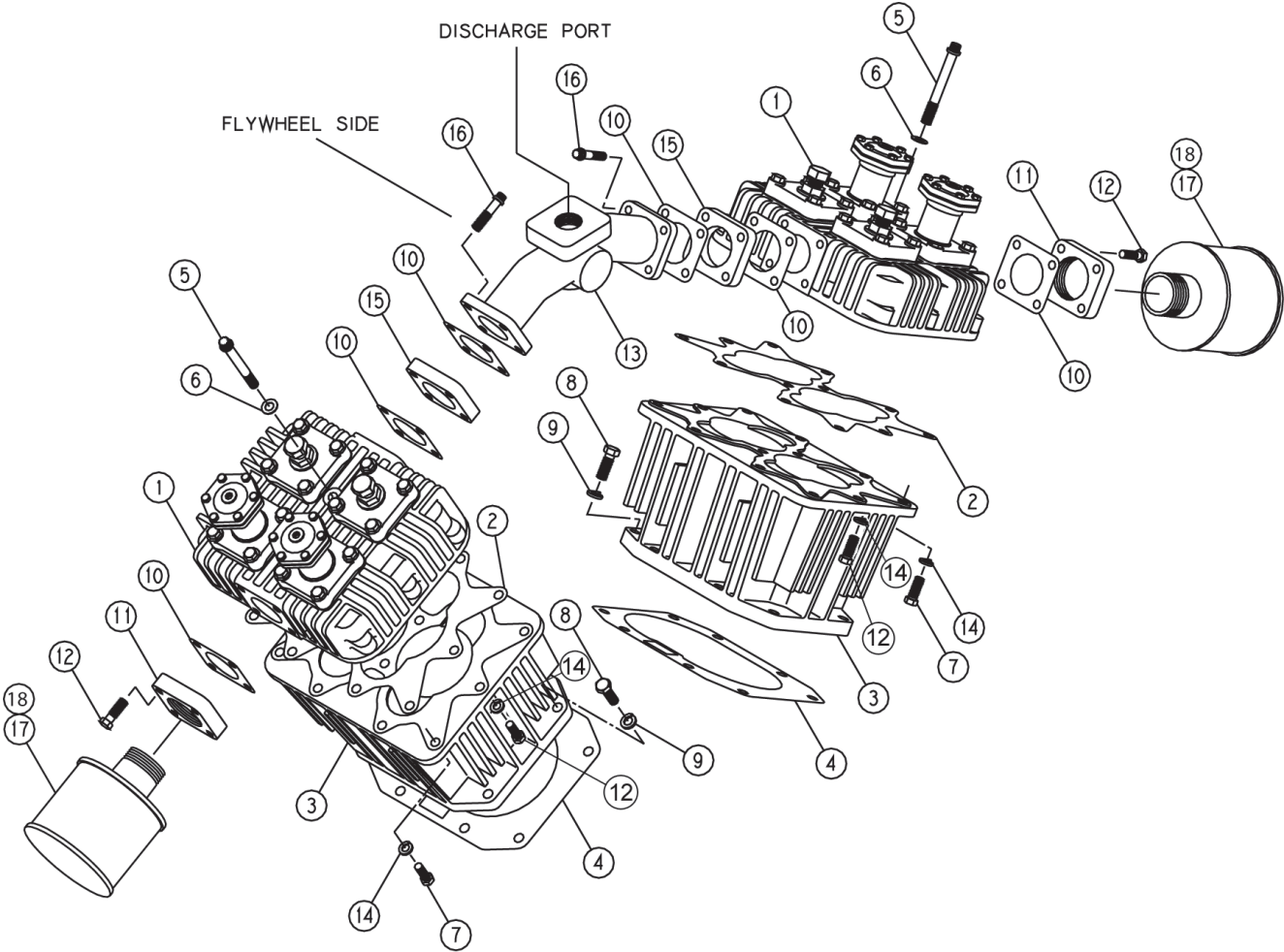
Item Number	Qty.	Part Number	Description
1	1	40081	connecting rod assembly (N.S.S.; see maintenance parts) includes:
1.1	1		connecting rod (N.S.S.; see maintenance parts)
1.2	2	6443	connecting rod bushing
1.3	2	1344	connecting rod bolt, 7/16-20 unc x 3.25
1.4	2	1319	connecting rod bolt washer
2	2	8648	retaining ring
3	1	8646	piston pin
4	1	8644	compressor piston
5	1	112780	expander ring
6	1	7351	piston ring
7	2	6656	connecting rod insert (sold in pairs only; see maintenance parts)
8	2	124471-M08	locknut, 7/16-20 unf (@ 40 ft.-lbs.)
9	2	112781	oil ring rail
10	2	7012	spring
11	2	7010	piston ring
Maintenance Parts			
	4	8644-010	replacement piston (.010 oversize)
	4	8644-020	replacement piston (.020 oversize)
	4	8166	ring set (standard; no color code)
	4	4434-010	ring set (.010 oversize; light blue)
	4	4434-020	ring set (.020 oversize; yellow)
	*4	6656PR	connecting rod bearing inserts (1 pair; standard size)
	*4	6656-010PR	connecting rod inserts (1 pair; .010 undersize)
		8644X	Replacement Piston Assembly (Standard) includes piston, piston pin, standard ring set & retaining rings
		8644X010	Replacement Piston Assembly (.010 oversize) includes oversize piston, piston pin, oversize ring set & retaining rings
		8644X020	Replacement Piston Assembly (.020 oversize) includes oversize piston, piston pin, oversize ring set & retaining rings
		6655X	Replacement Connecting Rod Assembly includes connecting rod assembly, inserts & locknuts
		6656XUS	Replacement Connecting Rod Assembly (.010 oversize) includes connecting rod assembly, inserts & locknuts

N.S.S. = Not Sold Separate

@ Indicates torque value in foot pounds (dry threads). Tighten multiple bolts, capscrews & hex nuts in a criss-cross or alternating pattern. Bring each fastener to the recommended torque specification in even increments.

* 1 pair required for each connecting rod assembly.

CYLINDER & HEAD GROUP

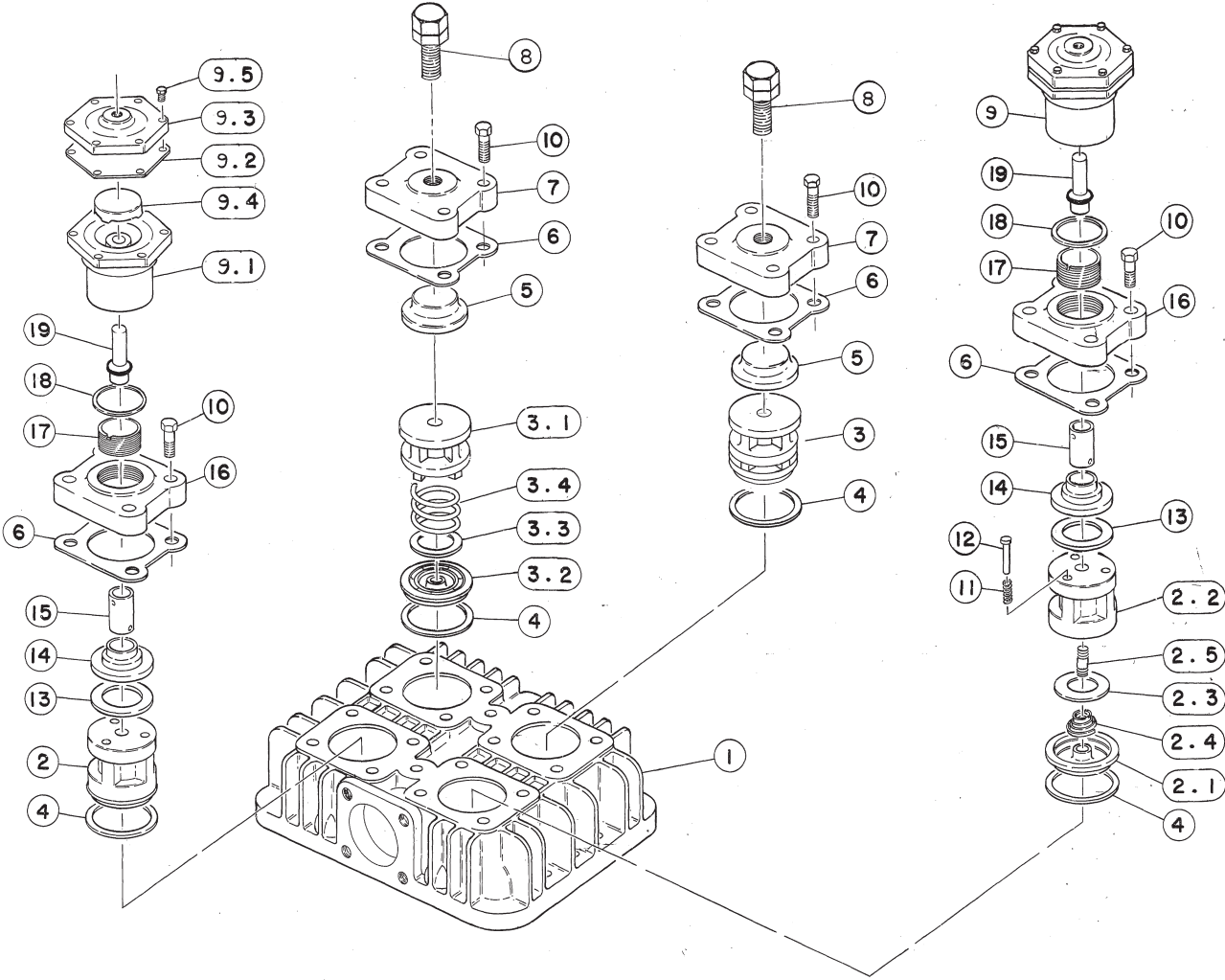


CYLINDER & HEAD GROUP

Item Number	Qty.	Part Number	Description
1	2	5824UU	head assembly (see page 11 for parts breakdown)
2	2	5826	gasket, cylinder head
3	2	7281-2	cylinder
4	2	5827	gasket, cylinder to crankcase
5	4	5863	counterbore screw, 1/2-13 unc x 4.25, grade 8 (@ 50 ft.-lbs.)
6	4	1478-1	flatwasher, 1/2
7	16	123478-M14	hex screw, 7/16-14 unc x 1.25, grade 5 (@ 50 ft.-lbs.)
8	16	123478-N15	hex screw, 1/2-13 unc x 1.50, grade 5 (@ 75 ft.-lbs.)
9	16	123115-08C	lockwasher, 1/2
10	6	5828-1	gasket, companion flange
11	4	5858	intake flange
12	12	123478-M15	hex screw, 7/16-14 unc x 1.50, grade 5 (@ 50 ft.-lbs.)
13	1	6662-002	discharge manifold
14	20	123115-07C	lockwasher, 7/16
15	2	7340	manifold spacer
16	8	90386-M17	counterbore screw, 7/16-14 unc x 2.00, grade 8 (@ 50 ft.-lbs.)
17	2	110377F200	filter
or			
17	2	110377H200	hooded air filter
or			
17	2	110377S200	hooded air filter / silencer
			Maintenance Parts
18	2	110377E200	air filter element
	1	5824X36L	Replacement Head Assembly includes head assembly, cylinder head gasket, tube fittings & copper tube

@ Indicates torque value in foot pounds (dry threads). Tighten multiple bolts, capscrews & hex nuts in a criss-cross or alternating pattern. Bring each fastener to the recommended torque specification in even increments.

HEAD ASSEMBLY 5824UU



HEAD ASSEMBLY 5824UU

Item Number	Qty.	Part Number	Description
1	1	5824	head
2	2	6671X1	suction valve assembly
2.1	1	6671	valve bumper
2.2	1	2015	valve seat
2.3	1	2036	valve disc
2.4	1	6909	valve spring
2.5	1	1849	stud
3	2	6670X001	discharge valve assembly
3.1	1	6670-001	valve bumper
3.2	1	5812-001	valve seat
3.3	1	2036	valve disc
3.4	1	6909	valve spring
4	4	2024	gasket, valve
5	2	6668-1R	valve retainer
6	4	2025	gasket, valve plate
7	2	6666	cover plate
** 8	2	114545-R15	bolt and jamnut assembly
9	2	40192	unloader assembly (@ 75 ft.-lbs.) (N.S.S.,order 8272X)
9.1	1	8272	unloader body (N.S.S., order 8272X)
9.2	1	1855	unloader diaphragm
9.3	1	1818B	diaphragm cover plate
9.4	1	5910	diaphragm disc
9.5	6	7499	hex screw, 1/4- 20 unc x .75, grade 5 (@ 6 ft.-lbs.)
* 10	16	7480	hex screw, 7/16-14 unc x 1.38, grade 5 (@ 50 ft.-lbs.)
11	6	6910	unloader pin spring
12	6	1857	valve pin
13	2	5729	valve platform
14	2	6911	valve retainer
15	2	6912-001	unloader pin
16	2	6908	unloader type valve cover plate
17	2	3008	holddown screw (@ 60 ft.-lbs.)
18	2	1556	gasket, valve
19	2	7532X	unloader piston assembly

Maintenance Parts

6671X

Replacement Suction Valve assembly

includes suction valve assembly & valve gasket

6671XU

Replacement Suction Valve Assembly

includes suction valve assembly, unloader pin spring, valve pin & valve gasket

6670X01

Replacement Discharge Valve Assembly

includes discharge valve assembly & valve gasket

8272X

Replacement Unloader Assembly

includes unloader piston assembly, valve gasket & unloader assembly

Parts for Special Applications

(for use with phosphate ester synthetic lubricants)

20.2	1	1855S	unloader diaphragm
------	---	-------	--------------------

@ Indicates torque value (dry threads).

Note: Tighten all bolts & capscrews in any bolt pattern, evenly bringing each bolt to torque in equal increments, while moving about the bolt pattern. This is particularly important for connecting rod & head bolts.

* Tighten and torque valve cover plate hex screws (item 10) prior to tightening valve clamp hex screws (item 8).

** Install with Loctite® 272 applied to threads.

N.S.S. = Not Sold Separately

CONTROL GROUP 110851

(control version L)

Item Number	Qty.	Part Number	Description
1	1	110827-001	hydraulic unloader assembly
2	1	3324	tube fitting, tee, 1/4 tube x 1/8 npt x 1/4 tube
3	3	1642	tube fitting, 90° male elbow, 1/4 tube x 1/8 npt
4	2	1665	tube fitting, tee, 1/4 tube x 1/4 tube x 1/8 npt
5	7ft.	110515-025	copper tube, 1/4 o.d.

Maintenance Parts

113225

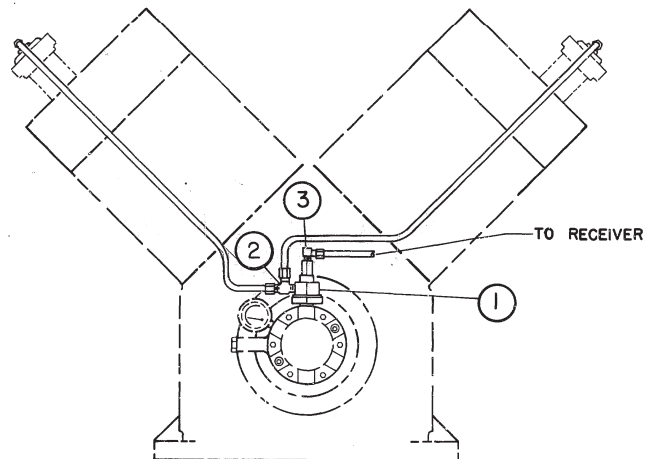
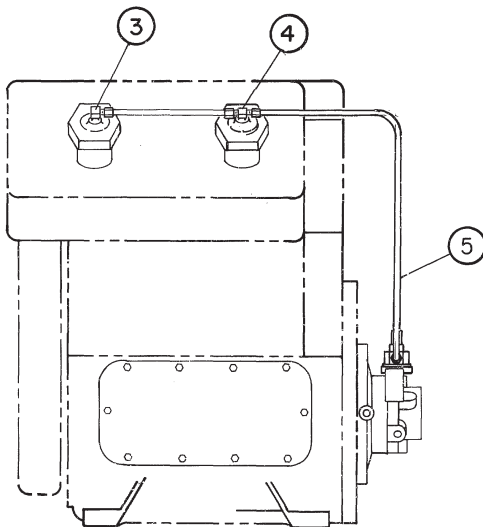
Hydraulic Unloader Repair Kit

includes diaphragm, stem assembly, inlet filter & fitting assembly, spring (0-200 p.s.i.) and spring (201-500 p.s.i. red color code, **DO NOT USE RED SPRING FOR MODEL 4125**)

Parts for Special Applications

(for use with diester or phosphate ester synthetic lubricants)

1	1	110827-003	hydraulic unloader assembly
---	---	------------	-----------------------------



Gasket Set 7141			
Item #	Qty.	Part Number	Description
	5	1498	bearing adj. shim, .005 steel
	4	1498A	bearing adj. shim, .007 plastic
	4	1498B	bearing adj. shim, .020 steel
	2	1498C	bearing adj. shim, .002 steel
	4	1556	gasket
	8	2024	gasket, valve
	8	2025	gasket, valve cover
	1	5494	gasket, bearing carrier
	2	5826	gasket, cylinder to head
	2	5827	gasket, cylinder to crankcase

Head Kit K4125A			
Item #	Qty.	Part Number	Description
	2	110377E200	air filter element
	4	1556	gasket
	4	1855	diaphragm
	8	2024	gasket, valve
	8	2025	gasket, valve cover
	8	2036	valve disc
	2	5826	gasket, cylinder to head
	8	6909	valve spring

Yearly Maintenance Kit 110516-412			
Item #	Qty.	Part Number	Description
	1	110822	oil pressure gauge
	4	1855	diaphragm
	12	1857	valve pin
	8	2036	valve disc
	1	6283	hydraulic unloader filter
	8	6909	valve spring
	12	6910	valve spring
	1	7141	gasket set

Recommended Spare Parts			
Item #	Qty.	Part Number	Description
	2	6671X	replacement suction valve assy.
	2	6670X01	replacement discharge valve assy.
	1	110822	pressure gauge
	1	2022132307	oil pump repair kit
	1	7141	gasket set

Basic Compressor Repair Kit 110823-412			
Item #	Qty.	Part Number	Description
	4	1855	diaphragm
	8	2036	valve disc
	1	3720	bearing cup
	1	40775	bearing cone
	1	4357	bearing cup
	4	6443SR	replacement con-rod bushing
	1	6651	bearing cone
	4	6656PR	connecting rod inserts (1 pair)
	8	6909	valve spring
	1	7141	gasket set
	4	8166	piston ring set
	4	8646	piston pin
	8	8648	retaining ring

Piston Pin Kit K4125D			
Item #	Qty.	Part Number	Description
	4	6443SR	replacement con-rod bushing
	4	8646	piston pin

Overhaul Kit K4125B			
Item #	Qty.	Part Number	Description
	2	110377E200	air filter element
	4	1855	diaphragm
	8	2036	valve disc
	4	6656PR	connecting rod inserts (1 pair)
	8	6909	valve spring
	1	7141	gasket set
	4	8166	piston ring set

Oil Pump Repair Kit 2022132307			
Item #	Qty.	Part Number	Description
	2	160003	oil pump gerotor
	1	2004200203	driveshaft
	2	1600075-001	key
	1	6285	retaining ring
	1	22749-011	"o"ring
	1	22749-112	"o"ring
	1	22749-152	"o"ring

QUINCY COMPRESSOR STANDARD TERMS AND CONDITIONS

LEGAL EFFECT: Except as expressly otherwise agreed to in writing by an authorized representative of Seller, the following terms and conditions shall apply to and form a part of this order and any additional and/or different terms of Buyer's purchase order or other form of acceptance are rejected in advance and shall not become a part of this order.

The rights of Buyer hereunder shall be neither assignable nor transferable except with the written consent of Seller.

This order may not be canceled or altered except with the written consent of Seller and upon terms which will indemnify Seller against all loss occasioned thereby. All additional costs incurred by Seller due to changes in design or specifications, modification of this order or revision of product must be paid for by Buyer.

In addition to the rights and remedies conferred upon Seller by this order, Seller shall have all rights and remedies conferred at law and in equity and shall not be required to proceed with the performance of this order if Buyer is in default in the performance of such order or of any other contract or order with seller.

TERMS OF PAYMENT: Unless otherwise specified in the order acknowledgment, the terms of payment shall be 1% 15, net forty-five (45) days after shipment. These terms shall apply to partial as well as complete shipments. If any proceeding be initiated by or against Buyer under any bankruptcy or insolvency law, or in the judgment of Seller the financial condition of Buyer, at the time the equipment is ready for shipment, does not justify the terms of payment specified, Seller reserves the right to require full payment in cash prior to making shipment. If such payment is not received within fifteen (15) days after notification of readiness for shipment, Seller may cancel the order as to any unshipped item and require payment of its reasonable cancellation charges.

If Buyer delays shipment, payments based on date of shipment shall become due as of the date when ready for shipment. If Buyer delays completion of manufacture, Seller may elect to require payment according to percentage of completion. Equipment held for Buyer shall be at Buyer's risk and storage charges may be applied at the discretion of Seller.

Accounts past due shall bear interest at the highest rate lawful to contract for but if there is no limit set by law, such interest shall be eighteen percent (18%). Buyer shall pay all cost and expenses, including reasonable attorney's fees, incurred in collecting the same, and no claim, except claims within Seller's warranty of material or workmanship, as stated below, will be recognized unless delivered in writing to Seller within thirty (30) days after date of shipment.

TAXES: All prices exclude present and future sales, use, occupation, license, excise, and other taxes in respect of manufacture, sales or delivery, all of which shall be paid by Buyer unless included in the purchase price at the proper rate or a proper exemption certificate is furnished.

ACCEPTANCE: All offers to purchase, quotations and contracts of sales are subject to final acceptance by an authorized representative at Seller's plant.

DELIVERY: Except as otherwise specified in this quotation, delivery will be F. O. B. point of shipment. In the absence of exact shipping instruction, Seller will use its discretion regarding best means of insured shipment. No liability will be accepted by Seller for so doing. All transportation charges are at Buyer's expense. Time of delivery is an estimate only and is based upon the receipt of all information and necessary approvals. The shipping schedule shall not be construed to limit seller in making commitments for materials or in fabricating articles under this order in accordance with Seller's normal and reasonable production schedules.

Seller shall in no event be liable for delays caused by fires, acts of God, strikes, labor difficulties, acts of governmental or military authorities, delays in transportation or procuring materials, or causes of any kind beyond Seller's control. No provision for liquidated damages for any cause shall apply under this order. Buyer shall accept delivery within thirty (30) days after receipt of notification of readiness for shipment. Claims for shortages will be deemed to have been waived if not made in writing with ten (10) days after the receipt of the material in respect of which any such shortage is claimed. Seller is not responsible for loss or damage in transit after having received "In Good Order" receipt from the carrier. All claims for loss or damage in transit should be made to the carrier.

TITLE & LIEN RIGHTS: The equipment shall remain personal property, regardless of how affixed to any realty or structure. Until the price (including any notes given therefore) of the equipment has been fully paid in cash, Seller shall, in the event of Buyer's default, have the right to repossess such equipment.

PATENT INFRINGEMENT: If properly notified and given an opportunity to do so with friendly assistance, Seller will defend Buyer and the ultimate user of the equipment from any actual or alleged infringement of any published United States patent by the equipment or any part thereof furnished pursuant hereto (other than parts of special design, construction, or manufacture specified by and originating with Buyer), and will pay all damages and costs awarded by competent court in any suit thus defended or of which it may have had notice and opportunity to defend as aforesaid.

STANDARD WARRANTY: Seller warrants that products of its own manufacture will be free from defects in workmanship and materials under normal use and service for the period specified in the product instruction manual. Warranty for service parts will be Ninety (90) days from date of factory shipment. Electric Motors, gasoline and diesel engines, electrical apparatus and all other accessories, components and parts not manufactured by Seller are warranted only to the extent of the original manufacturer's warranty.

Notice of the alleged defect must be given to the Seller, in writing with all identifying details including serial number, type of equipment and date of purchase within thirty (30) days of the discovery of the same during the warranty period.

Seller's sole obligation on this warranty shall be, at its option, to repair or replace or refund the purchase price of any product or part thereof which proves to be defective. If requested by Seller, such product or part thereof must be promptly returned to seller, freight prepaid, for inspection.

Seller warrants repaired or replaced parts of its own manufacture against defects in materials and workmanship under normal use and service for ninety (90) days or for the remainder of the warranty on the product being repaired.

This warranty shall not apply and Seller shall not be responsible or liable for:

- (a) Consequential, collateral or special losses or damages;
- (b) Equipment conditions caused by fair wear and tear, abnormal conditions of use, accident, neglect or misuse of equipment, improper storage or damage resulting during shipping;
- (c) Deviation from operating instructions, specifications or other special terms of sale;
- (d) Labor charges, loss or damage resulting from improper operation, maintenance or repairs made by person(s) other than Seller or Seller's authorized service station.

In no event shall Seller be liable for any claims whether arising from breach of contract or warranty or claims of negligence or negligent manufacture in excess of the purchase price.

THIS WARRANTY IS THE SOLE WARRANTY OF SELLERS AND ANY OTHER WARRANTIES, WHETHER EXPRESS OR IMPLIED IN LAW OR IMPLIED IN FACT, INCLUDING ANY WARRANTIES OF MERCHANTABILITY AND FITNESS FOR PARTICULAR USE ARE HEREBY SPECIFICALLY EXCLUDED.

LIABILITY LIMITATIONS: Under no circumstances shall the Seller have any liability for liquidated damages or for collateral, consequential or special damages or for loss of profits, or for actual losses or for loss of production or progress of construction, whether resulting from delays in delivery or performance, breach of warranty, negligent manufacture or otherwise.

ENVIRONMENTAL AND OSHA REQUIREMENTS: At the time of shipment of the equipment from the factory, Quincy Compressor / Ortman Fluid Power will comply with the various Federal, State and local laws and regulations concerning occupational health and safety and pollution. However, in the installation and operation of the equipment and other matters over which the seller has no control, the Seller assumes no responsibility for compliance with those laws and regulations, whether by the way of indemnity, warranty or otherwise.

June 30, 2003



Reciprocating / Systems: 217.222.7700
Air Master 217.277.0270
E-mail: info@quincycompressor.com
Website: quincycompressor.com

